

4

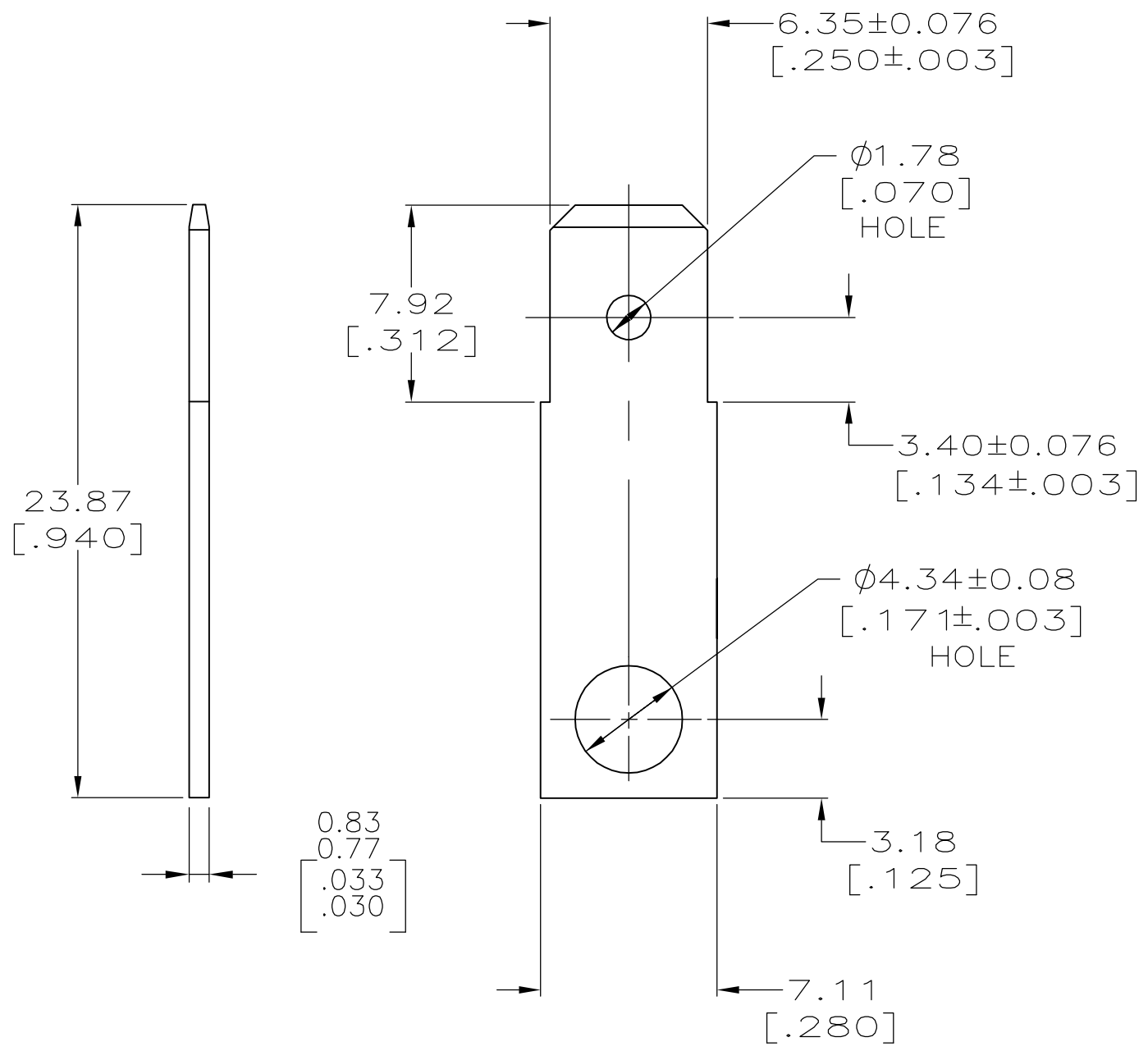
3

2

1

THIS DRAWING IS UNPUBLISHED. RELEASED FOR PUBLICATION
 © COPYRIGHT - BY TYCO ELECTRONICS CORPORATION. ALL RIGHTS RESERVED.

LOC	DIST	REVISIONS					
		P	LTR	DESCRIPTION	DATE	DWN	APVD
AF	50		B	REV PER ECR-05-017287	23MAR06	HMR	JR



- 1 SUPPLIED IN LOOSE PIECE
- △ 2 PRELIMINARY - NOT FOR PRODUCTION
- △ 3 PREPRODUCTION - FASR REQUIRED

0.002032 [.000080] MIN TIN	△ 3 1217558-2
-	△ 2 1217558-1
FINISH	PART NO.

THIS DRAWING IS A CONTROLLED DOCUMENT.		DWN JR RUTH 20DEC00	Tyco Electronics Corporation Harrisburg, PA 17105-3608			
DIMENSIONS: mm [INCHES]		CHK MS FEHER 20DEC00				
TOLERANCES UNLESS OTHERWISE SPECIFIED:		APVD N DEIBERT 20DEC00	NAME TAB, FASTON, 6.35 [.250] SERIES			
0 PLC ± - 1 PLC ± - 2 PLC ± 0.25 [.010] 3 PLC ± - 4 PLC ± - ANGLES ± -		PRODUCT SPEC -	APPLICATION SPEC -			
MATERIAL 082 BRASS	FINISH SEE TABLE	WEIGHT -	SIZE A3	CAGE CODE 00779	DRAWING NO C-1217558	RESTRICTED TO -
CUSTOMER DRAWING			SCALE 4:1	SHEET 1 OF 1	REV B	